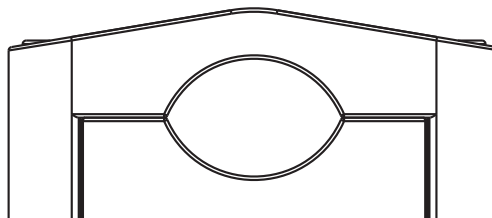
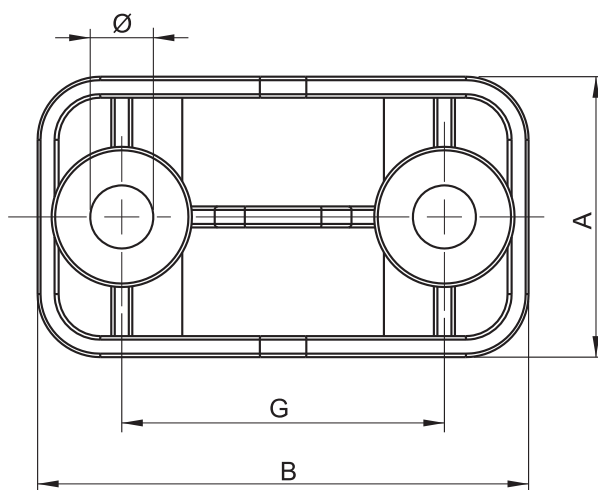




4.460.001



4.461.001



4.462.001

CAT. NUMBER	NAME	MATERIAL	DIAMETER	DIMENSIONS			
				Φ	A	B	G
4.460.001	Clasp $\varnothing 27$	Polyamide PA6 colour RAL	17-27	9	40	70	46
4.461.001	Clasp $\varnothing 40$		25-46	12	58	97	68
4.462.001	Clasp $\varnothing 75$		47-73	13	60	126,5	95